



US00D612189S

(12) **United States Design Patent**
Kauer

(10) **Patent No.:** **US D612,189 S**

(45) **Date of Patent:** **** Mar. 23, 2010**

(54) **BASKETBALL POPCORN MACHINE**

(75) Inventor: **Frank Kauer**, 21/F, 74 Hungto Rd.,
Kwuntong (HK)

(73) Assignee: **Frank Kauer**, Kwun Tong (HK)

(**) Term: **14 Years**

(21) Appl. No.: **29/351,382**

(22) Filed: **Dec. 4, 2009**

(51) **LOC (9) Cl.** **31-00**

(52) **U.S. Cl.** **D7/325**

(58) **Field of Classification Search** D7/323,
D7/325, 354-361, 500, 606; D20/1; D21/701;
99/323.4-323.9, 442; 206/217; 426/10-107,
426/241-243

See application file for complete search history.

(56) **References Cited**

U.S. PATENT DOCUMENTS

- D177,456 S * 4/1956 Altemiller D7/325
- 4,491,220 A * 1/1985 Daviss 206/217
- D388,466 S * 12/1997 Yurchak D20/1
- D447,195 S * 8/2001 Wiedner et al. D21/701

* cited by examiner

Primary Examiner—Caron Veynar

Assistant Examiner—Ricky Pham

(74) *Attorney, Agent, or Firm*—Henry B. Ward, III; Moore &
Van Allen

(57) **CLAIM**

The ornamental design for a basketball popcorn machine, as shown and described.

DESCRIPTION

FIG. 1 is a front, top and right-side-perspective view of a first embodiment of a basketball backboard popcorn machine;

FIG. 2 is a top-plan view thereof;

FIG. 3 is a left-side-elevational view thereof;

FIG. 4 is a front-elevational view thereof;

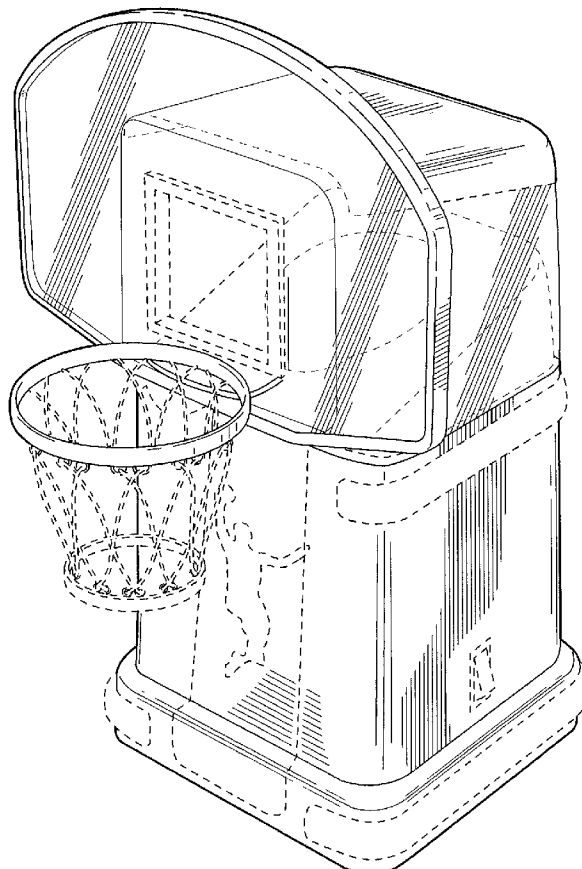
FIG. 5 is a right-side-elevational view thereof;

FIG. 6 is a rear-elevational view thereof; and,

FIG. 7 is a bottom-plan view thereof.

The broken lines shown in the drawings are shown for illustrative purposes only and form no part of the claimed design. In addition, the surface shading, if any, illustrated in the drawings is provided merely to highlight the contour of the design; it is not intended to be illustrative of texture or gloss.

1 Claim, 7 Drawing Sheets



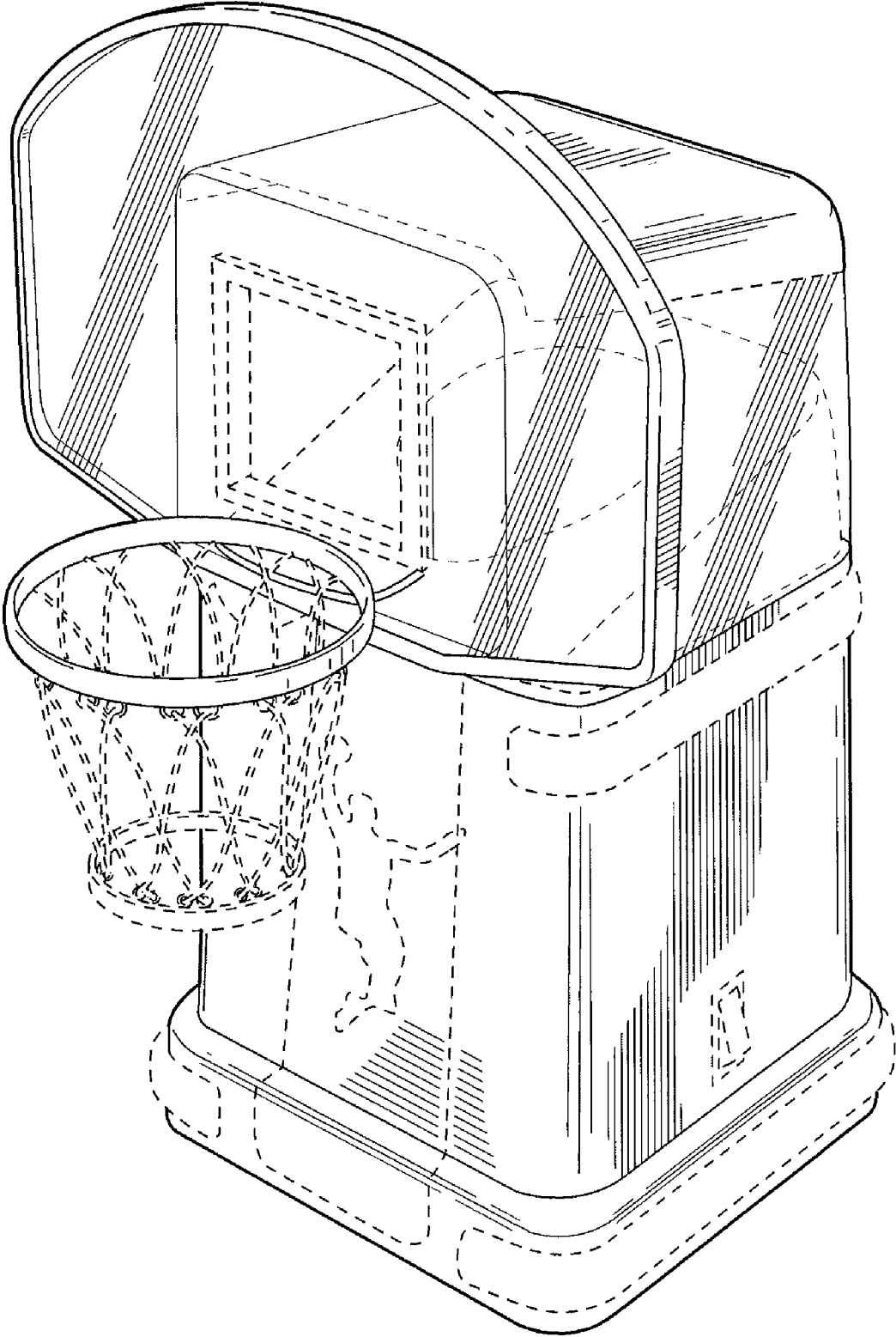


FIG. 1

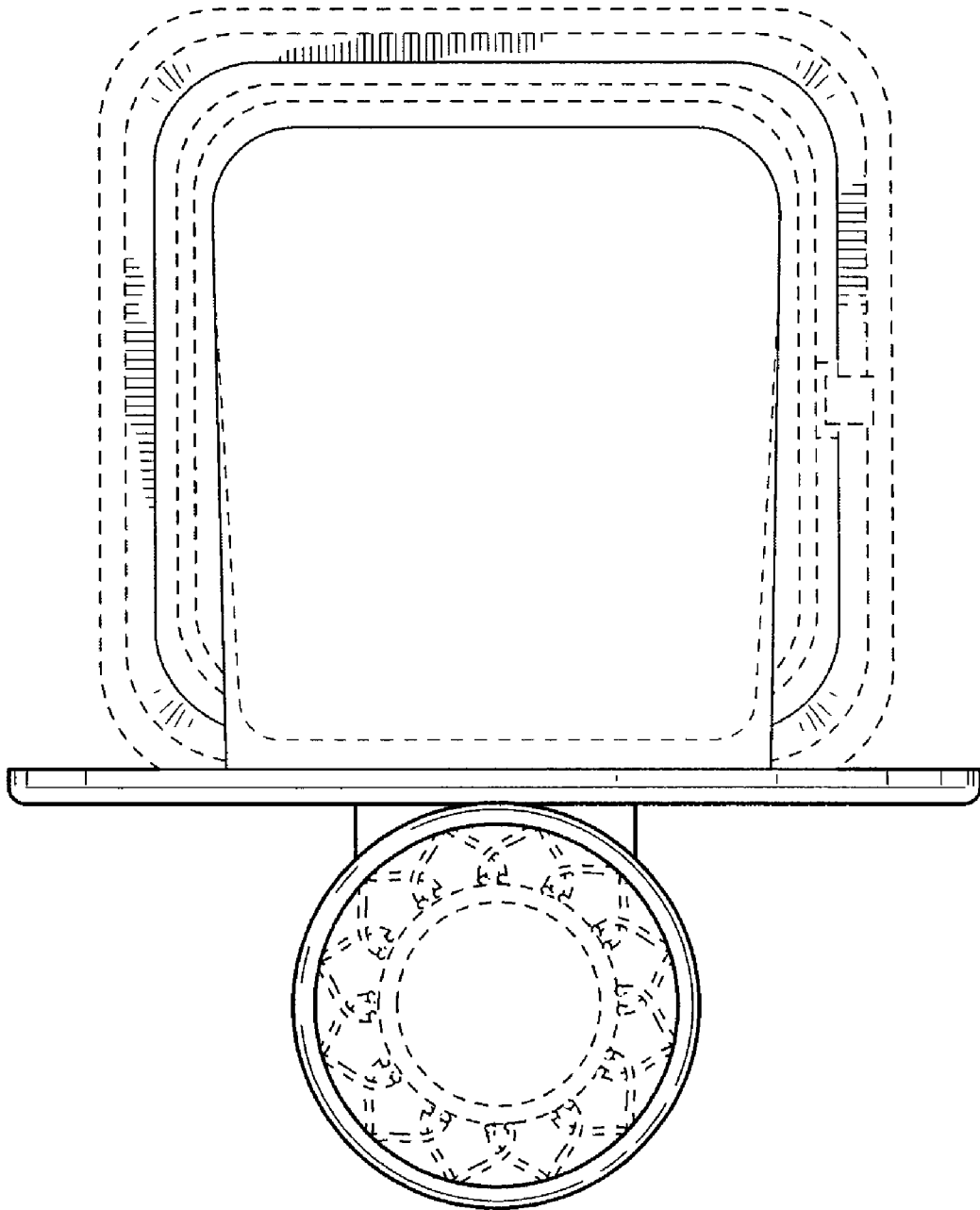


FIG. 2

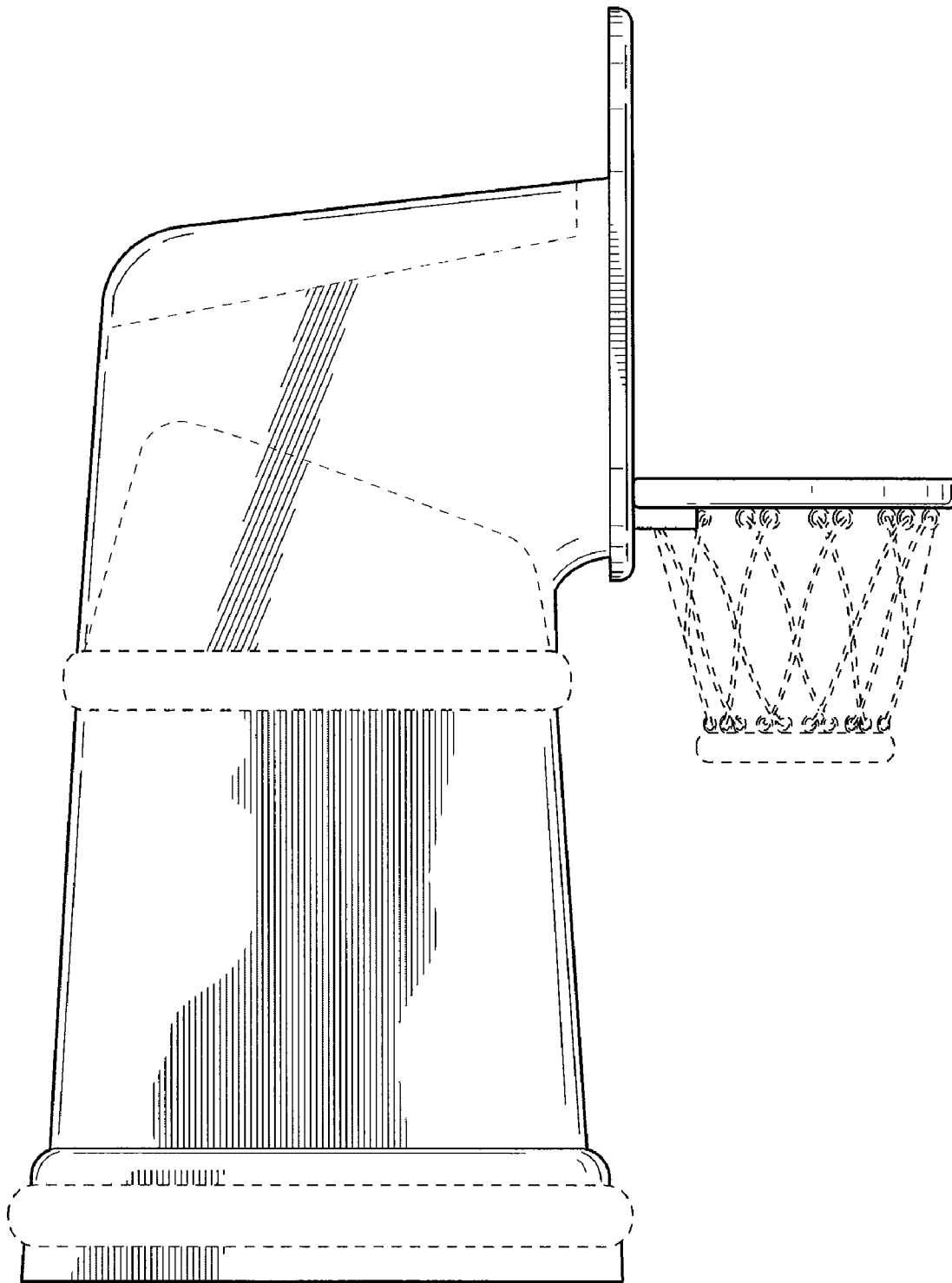


FIG. 3

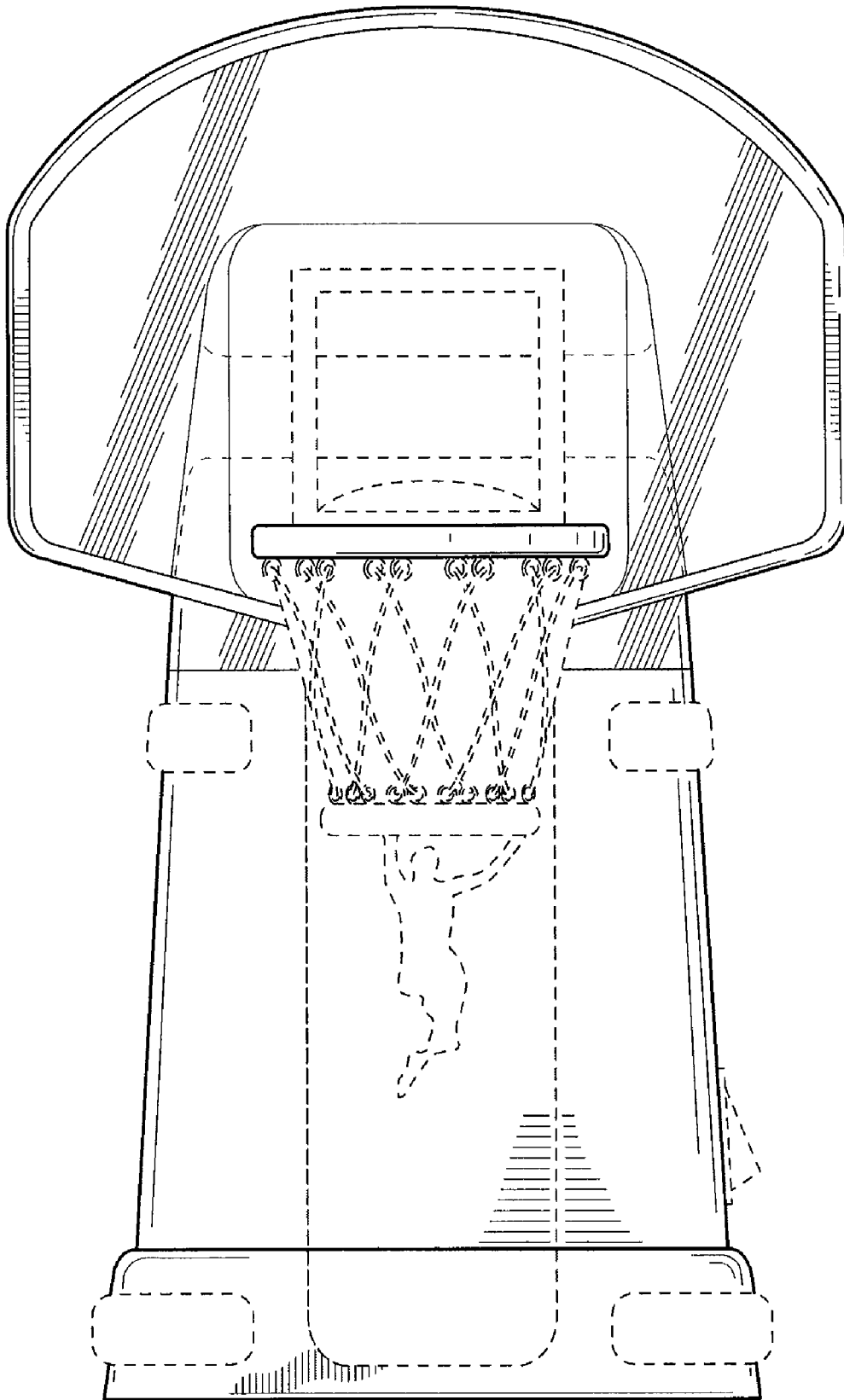


FIG. 4

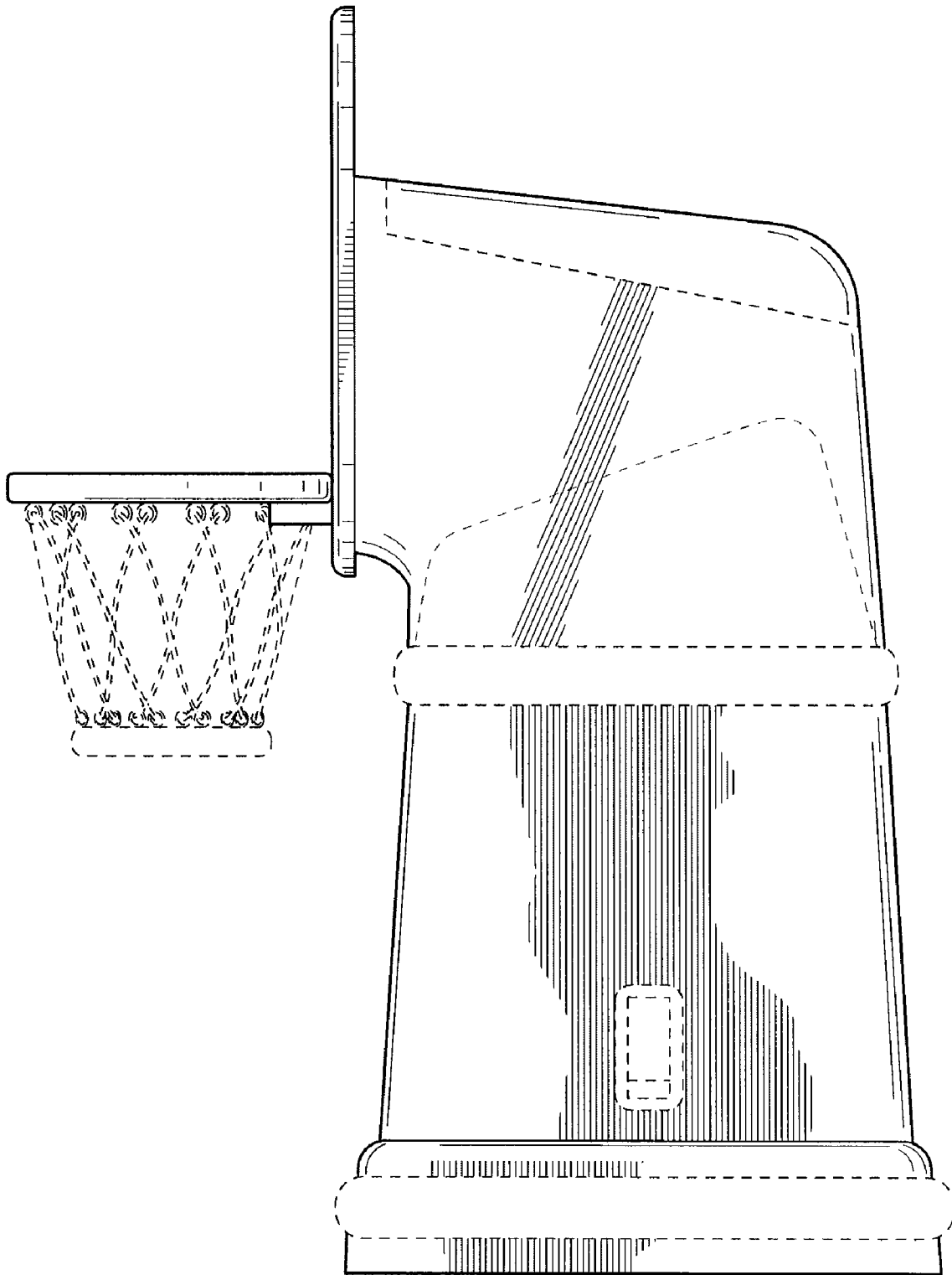


FIG. 5

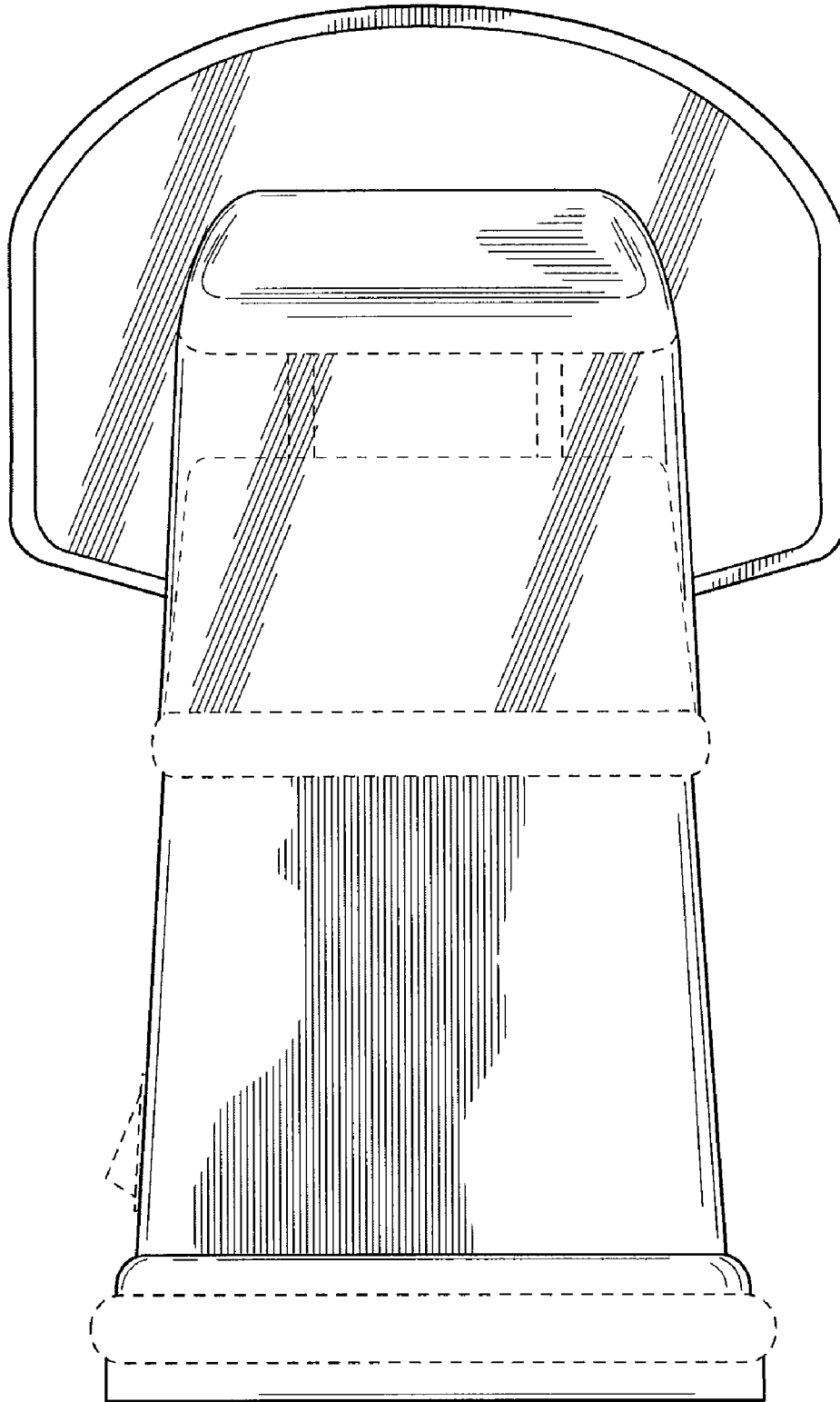


FIG. 6

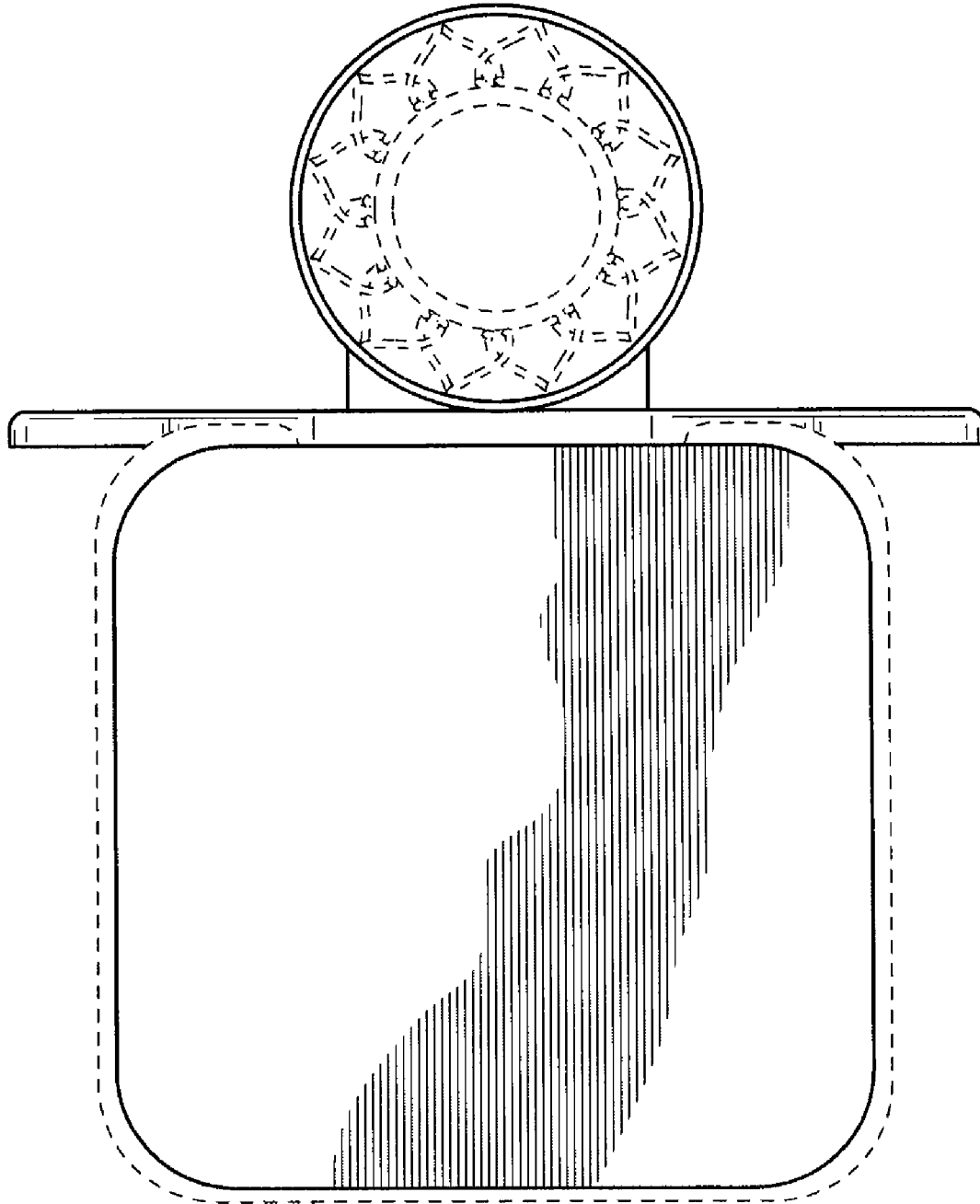


FIG. 7